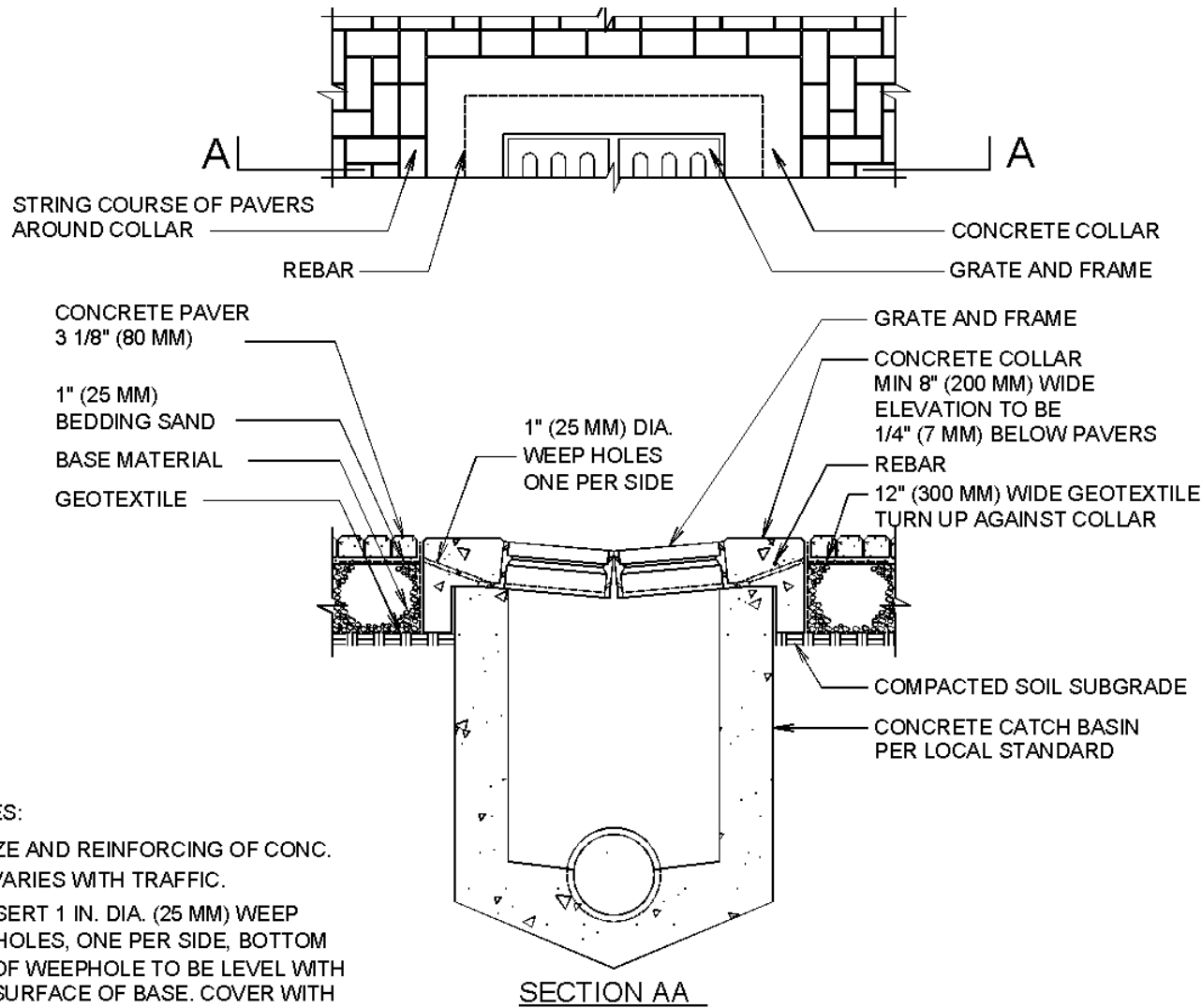


# Catch Basin



**NOTES:**

1. SIZE AND REINFORCING OF CONC. VARIES WITH TRAFFIC.
2. INSERT 1 IN. DIA. (25 MM) WEEP HOLES, ONE PER SIDE, BOTTOM OF WEEPHOLE TO BE LEVEL WITH SURFACE OF BASE. COVER WITH GEOTEXTILE.



Creating elegant hardscaping environments.

118 International Drive, Suite 101  
Morrisville, NC 27560

800-292-7220

[www.fredadampaving.com](http://www.fredadampaving.com)