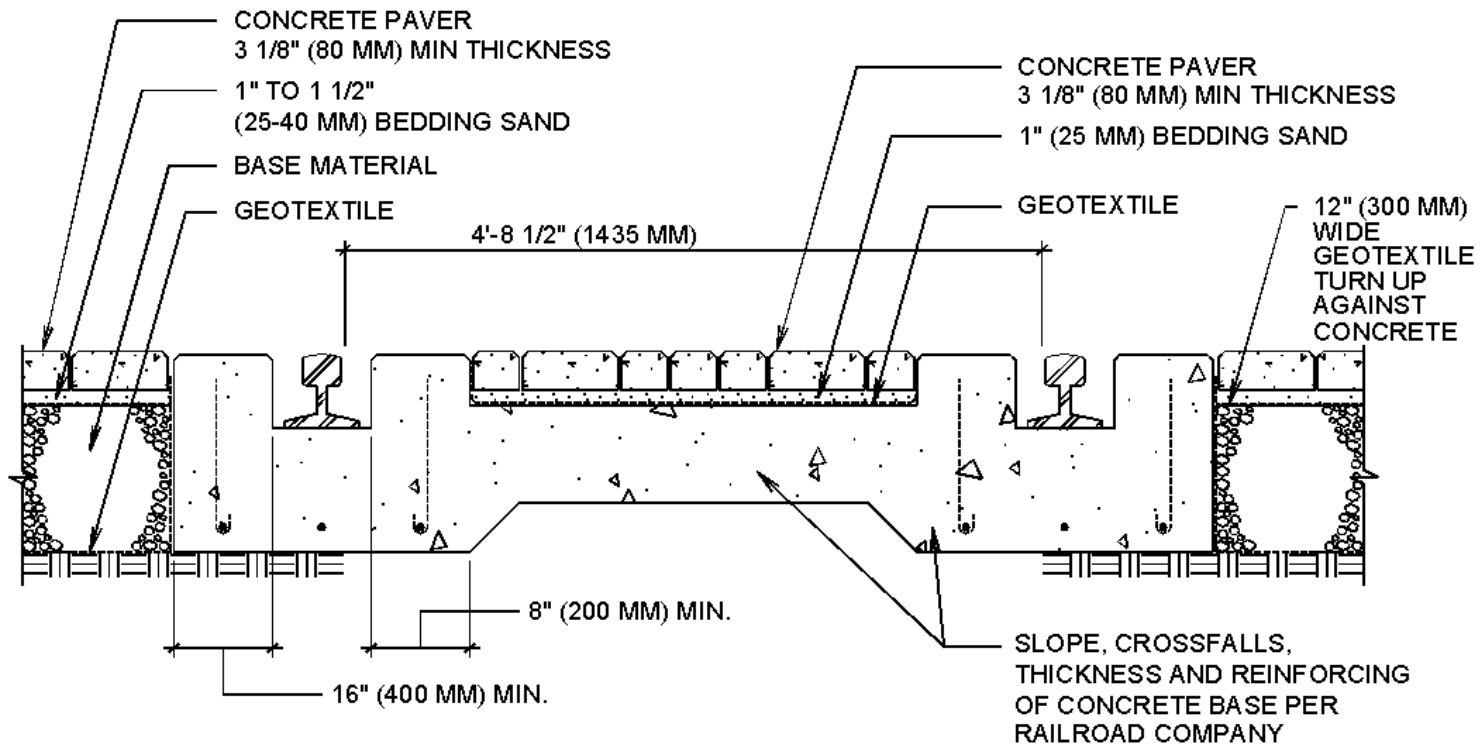


Railroad Crossing



NOTE:
DRAIN SAND LAYER THROUGH CONCRETE SLAB WITH PEA GRAVEL FILLED WEEP HOLE(S) OR AT CATCH BASIN(S).